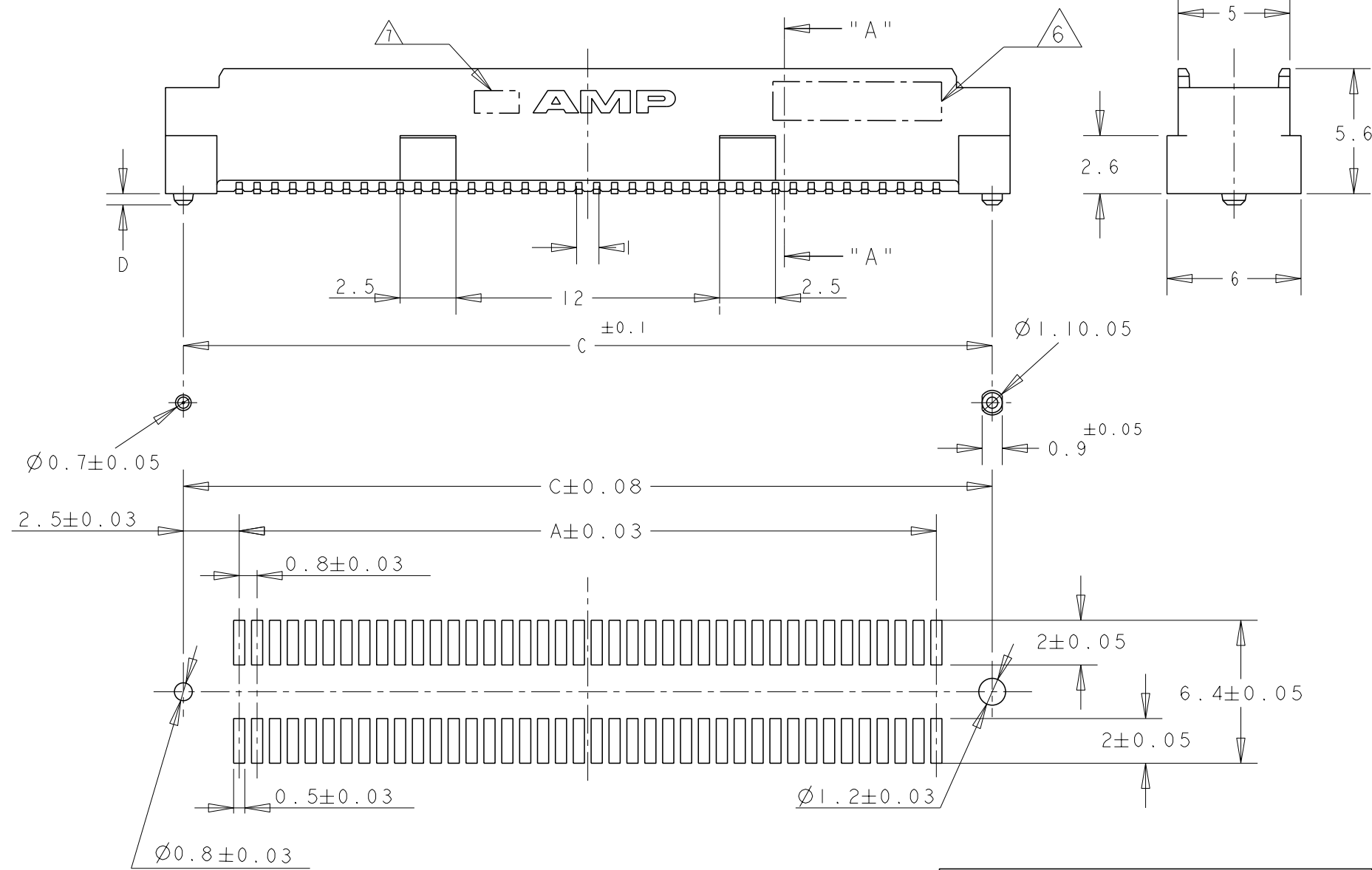
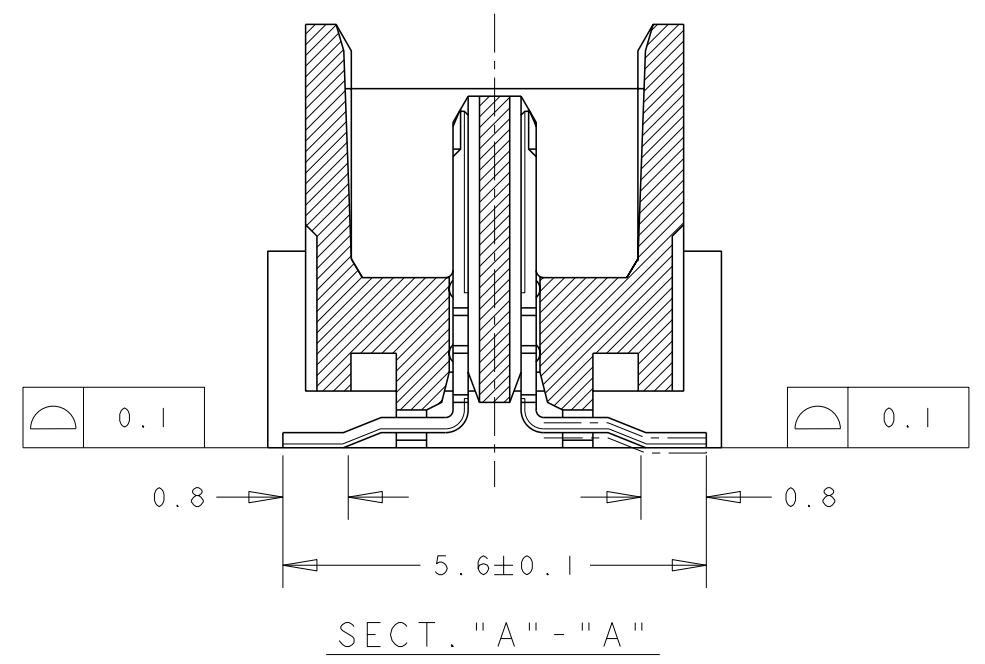
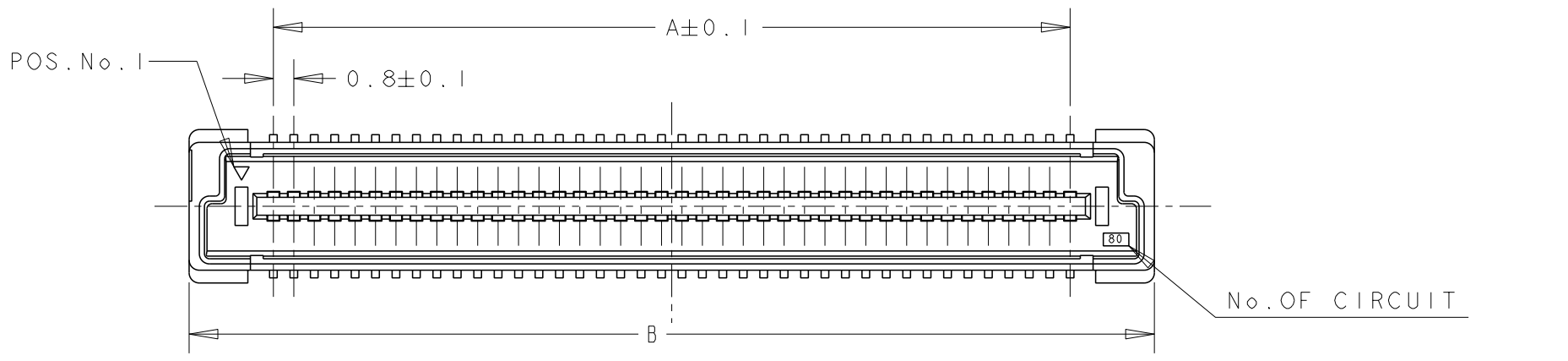


THIS DRAWING IS UNPUBLISHED. RELEASED FOR PUBLICATION 20
 © COPYRIGHT 20 BY - ALL RIGHTS RESERVED.

| REVISIONS | | | | |
|-----------|-----|---------------------------|---------|---------|
| P | LTR | DESCRIPTION | DATE | APVD |
| B2 | | REVISED PER ECR-15-012048 | 20AUG15 | I.T W.H |



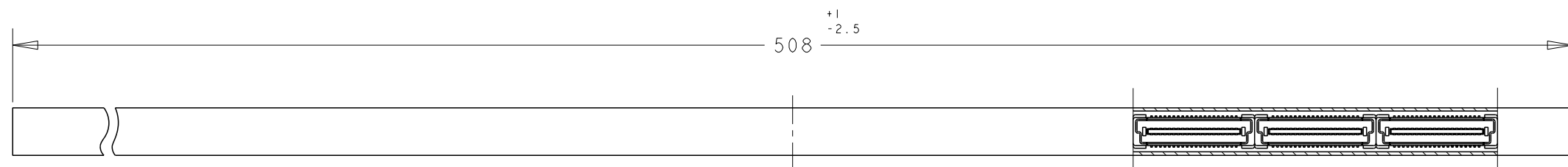
NOTES:

- 1 MATERIAL:
HOUSING: L.C.P (HIGH TEMP THERMO PLASTIC)
UL 94V-0, NATURAL.
CONTACT: BRASS.
- 2 FINISH:
CONTACT AREA: 0.0002 MIN GOLD ON
0.0013 MIN ALL OVER NICKEL.
SOLDERING AREA: 0.002 MIN MATTE-TIN.
- 3. POSITION SERIES: SEE TABLE.
- 4. CONN STACK HEIGHT COMBINE OF PLUG "Y" H VS REC "X" H.
STACK HEIGHT = Y + X - 5
- 5 OBSOLETE PARTS: OBSOLETE CIS STREAMINING PER
D.RENAUD/D.SINISI.
- 6 DATE CODE MARKING
- 7 MANUFACTURE PLANT LOCATION MARK. QINGDAO:

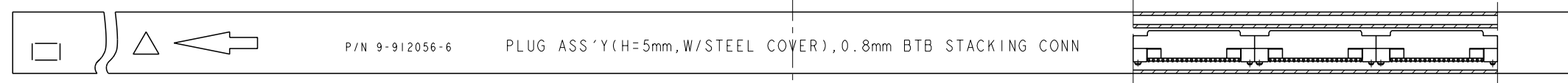
P/N SEE SHEET 2 OF 2.

| | | | | |
|--|--|--------------------------------|--|-------------------------|
| THIS DRAWING IS A CONTROLLED DOCUMENT. | | DWN FLORENCE TAN 30AUG04 | TE Connectivity | |
| DIMENSIONS: mm | | CHK ERIC TNG | | |
| TOLERANCES UNLESS OTHERWISE SPECIFIED: | | APVD SE LONG | NAME PLUG ASSEMBLY 6H TYPE (0.5 AND 0.8 BOSS LENGTH) FOR FH 0.8MM PITCH B-T-B CONNECTOR | |
| 0 PLC ±- 1 PLC ±0.30 2 PLC ±0.25 3 PLC ±0.20 4 PLC ± ANGLES ±3° | | PRODUCT SPEC 108-5390 | SIZE A3 | |
| MATERIAL | | APPLICATION SPEC 114-5254 | CAGE CODE - | DRAWING NO C-5179029 |
| FINISH | | WEIGHT - | RESTRICTED TO - | |
| | | CUSTOMER DRAWING | | SCALE 4:1 |
| | | SHEET 1 OF 2 | | REV B2 |

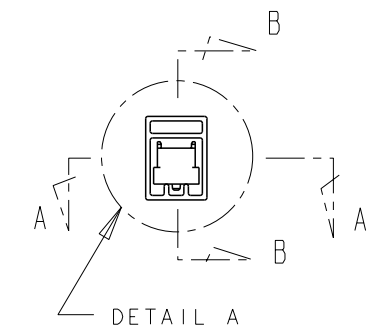
| P | LTR | DESCRIPTION | DATE | DWN | APVD |
|---|-----|------------------|------|-----|------|
| | | SEE SHEET 1 OF 2 | | | |



SECT A-A

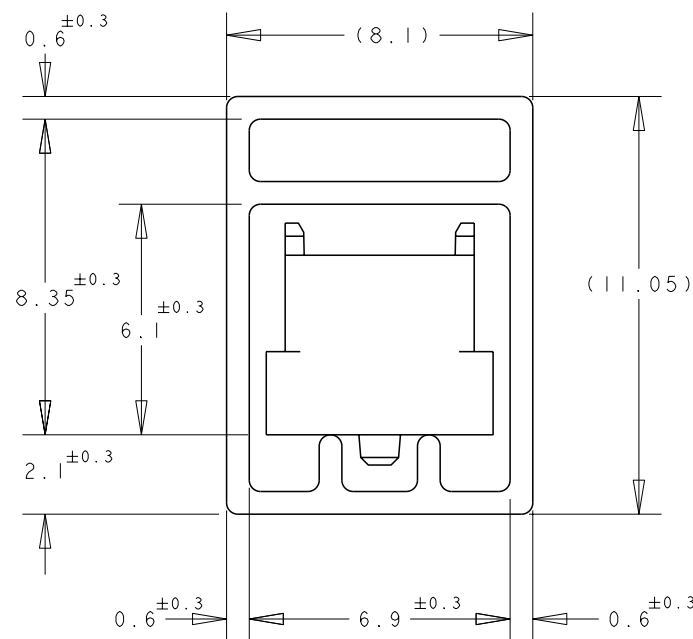


SECT B-B



P/N 9-912056-6 PLUG ASS'Y (H=5mm, W/STEEL COVER), 0.8mm BTB STACKING CONN

REFERENCE PICTURE OF TUBE PACK



DETAIL "B" (SCALE 5-1)

| | | | | | | | | |
|--------------|----|-----|------|------|------|----------|----|-----------|
| 5 | 12 | 0.8 | 36.2 | 37.8 | 31.2 | 80 | 3 | 3 |
| 5 | 16 | 0.8 | 28.2 | 29.8 | 23.2 | 60 | 3 | 2 |
| 5 | 22 | 0.8 | 20.2 | 21.8 | 15.2 | 40 | 3 | 1 |
| | 5 | 0.5 | 84.2 | 85.8 | 79.2 | 200 | 1- | -0 |
| | 6 | | 76.2 | 77.8 | 71.2 | 180 | | -9 |
| | 6 | | 68.2 | 69.8 | 63.2 | 160 | | -8 |
| | 7 | | 60.2 | 61.8 | 55.2 | 140 | | -6 |
| | 9 | | 52.2 | 53.8 | 47.2 | 120 | | -5 |
| | 10 | | 44.2 | 45.8 | 39.2 | 100 | | -4 |
| | 12 | | 36.2 | 37.8 | 31.2 | 80 | | -3 |
| | 16 | | 28.2 | 29.8 | 23.2 | 60 | | -2 |
| | 22 | 0.5 | 20.2 | 21.8 | 15.2 | 40 | | 5179029-1 |
| QTY/ TUBE | D | C | B | A | POS. | CONN P/N | | |

THIS DRAWING IS A CONTROLLED DOCUMENT.

DWN 30AUG04 FLORENCE TAN
 CHK ERIC TNG
 APVD SE LONG
 PRODUCT SPEC 108-5390
 APPLICATION SPEC 114-5254
 WEIGHT -

TE TE Connectivity

NAME PLUG ASSEMBLY 6H TYPE (0.5 AND 0.8 BOSS LENGTH) FOR FH 0.8MM PITCH B-T-B CONNECTOR

SIZE A3 CAGE CODE - DRAWING NO. C-5179029 RESTRICTED TO -

CUSTOMER DRAWING SCALE 4:1 SHEET 2 OF 2 REV B2

| DIMENSIONS: | TOLERANCES UNLESS OTHERWISE SPECIFIED: |
|-------------|--|
| mm | |
| | 0 PLC ±- |
| | 1 PLC ±0.30 |
| | 2 PLC ±0.25 |
| | 3 PLC ±0.20 |
| | 4 PLC ± |
| ANGLES | ±3° |
| MATERIAL | FINISH |
| | |

PROJ NO. 593-335